

CS9

900mm Gas Salamander



CS9

- 900mm wide
- Dual high performance infrared burners
- Removable easy-clean bottom tray
- Independently controlled sides
- Flame failure protection on each burner
- Wall mounting bracket supplied
- Stainless steel finish
- Optional: Branding plate

OVERALL CONSTRUCTION

- Stainless steel exterior
- Vitreous enamelled control panel
- Aluminised steel interior
- Stainless steel crumb tray
- Chrome plated rack and rack supports
- Two individually controlled infra-red burners
- Suitable for bench or wall mounting

CONTROLS

- Large easy use control knobs
- Dual controls with variable high to low burner setting
- Flame failure on each burner

CLEANING AND SERVICING

- Removable grill rack system, rack supports and crumb tray
- Easy clean stainless steel exterior
- Access to all parts from front of unit

Matching Products



CW2H



CSP6



CN4



CT9



CW3H



CW1H



CP4



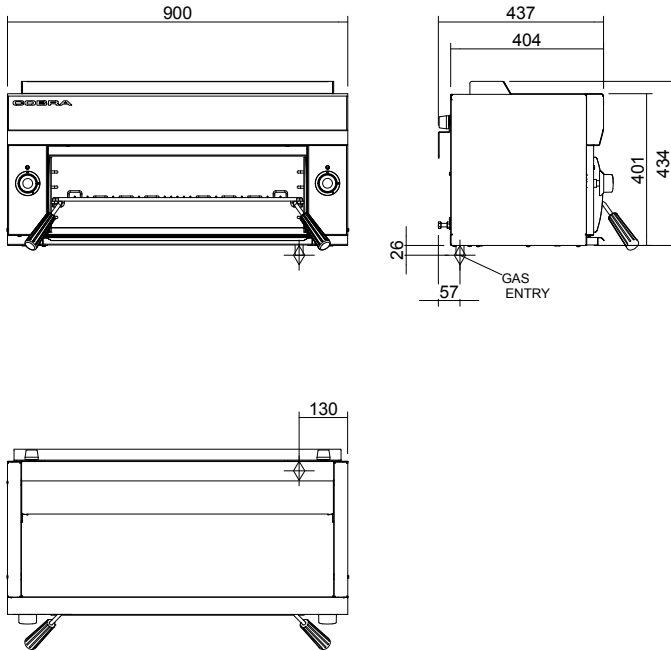
CS9 / C900-S

COBRA®

YOUR STYLE, YOUR WAY

CS9

900mm Gas Salamander



CS9

SPECIFICATIONS

Burners

2 x 15.75MJ/hr, 4.4kW

Maximum consumption

31.5MJ/hr, 8.8kW

Cooking area

Rack size:

610mm x 310mm 1890cm²

Gas connection

R $\frac{1}{2}$ " (BSP) female

130mm from right side,

25mm from rear

Dimensions

Width 900mm

Height 434mm

Depth 404mm

(437 with wall mounting bracket)

Nett weight

42kg

Packing data

0.32m³, 69kg

Width 940mm

Depth 520mm

Height 640mm

Gas types

Available in Natural gas and LP gas,
please specify when ordering

Options at extra cost

Branding Plate

**Reward
Hospitality**

www.rewardhospitality.com.au
www.rewardhospitality.co.nz